



Articulated Dumper

D 150 AHA D 150 AHG

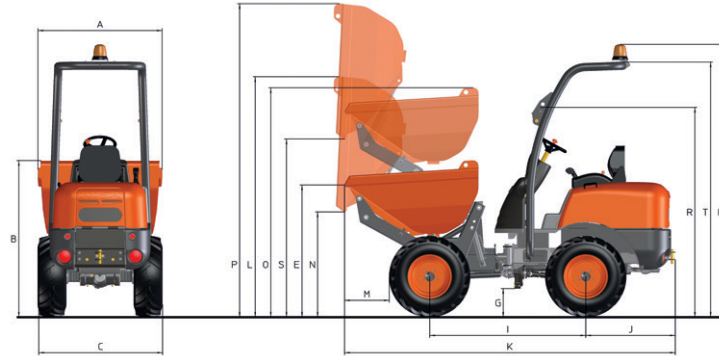


TECHNICAL DATA

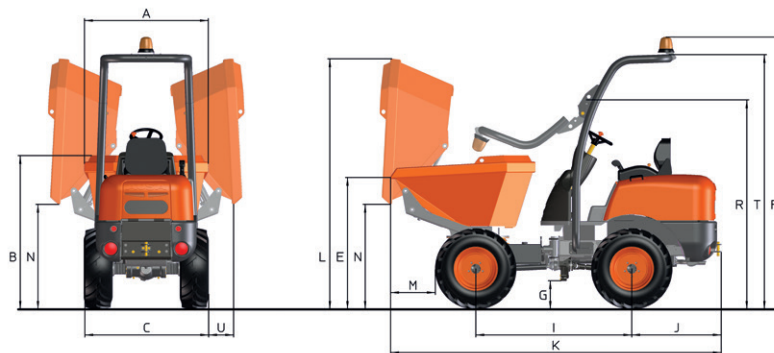
GENERAL		D150 AHA	D 150 AHG
Unloading system		High	Rotating
Load capacity	lb	3,300	3,300
Chassis		Articulated and oscillating	Articulated and oscillating
Water hopper capacity	cu yd	0.79	0.68
Level hopper capacity	cu yd	0.89	0.82
Heaped hopper capacity	cu yd	1.10	1.18
Empty weight	lb	3,329	3,329
Transmission		Hydrostatic	Hydrostatic
ENGINE			
Brand		KUBOTA	KUBOTA
Model		D1105-E4B	D1105-E4B
Power	hp	20.9	20.9
Operating speed	rpm	2400	2400
Torque	Nm@rpm	71.4@1600	71.4@1600
No. of cylinders		3	3
Emissions		EPA Tier4, Stage V	EPA Tier4, Stage V
Noise	dB(A)	101	101
DRIVING			
Max. speed	mph	8.7	8.7
Maximum gradient	%	40	40
External turning radius	in	128.3	128.3
Traction		4x4	4x4
Tyres		10.0/75-15.3	10.0/75-15.3
HYDRAULIC SYSTEM			
Main pump		0.49 cc gear pump	0.49 cc gear pump
Flow rate	gal/min	4.56	4.56
Working pressure	bar	180	180
TANK CAPACITY			
Fuel	gal	6	6
Hydraulic system	gal	5.6	5.6
BRAKES			
Service		Sealed brakes. Mechanical drive	Sealed brakes. Mechanical drive
Parking		Sealed brakes. Mechanical drive	Sealed brakes. Mechanical drive

DIMENSIONS

D 150 AHA



D 150 AHG



DIMENSIONS (in)	D 150 AHA	D 150 AHG
A	54.9	54.7
B	58.7	58.1
C	58.3	57.9
E	49.8	49.6
F	102.3	100.8
G	10.4	9.8
I	59	63
J	33.9	33.9
K	125.2	127.8
L	90.5	98.4
M	16.5	17.7
N	39.4	39.8
O	86.4	-
P	118.1	-
R	78.9	78.3
S	67.1	-
T	96.1	95.5
U	-	4.5



www.ausa.com

Products are subject to modifications without prior notice. Images throughout the spec sheet may refer to non-standard machines or non-available configurations depending on models.

AUSA's logo and corporate identity are property of the Company, they cannot be used without authorization.